

**PROPRIETARY AND CONFIDENTIAL**  
 THE INFORMATION CONTAINED IN THIS DRAWING IS THE SOLE PROPERTY OF <INSERT COMPANY NAME HERE>. ANY REPRODUCTION IN PART OR AS A WHOLE WITHOUT THE WRITTEN PERMISSION OF <INSERT COMPANY NAME HERE> IS PROHIBITED.

UNLESS OTHERWISE SPECIFIED:		NAME	DATE
DIMENSIONS ARE IN INCHES TOLERANCES: FRACTIONAL ± ANGULAR: MACH ± BEND ± TWO PLACE DECIMAL ± THREE PLACE DECIMAL ±		DRAWN	
INTERPRET GEOMETRIC TOLERANCING PER:		CHECKED	
MATERIAL		ENG APPR.	
FINISH		MFG APPR.	
DO NOT SCALE DRAWING		Q.A.	
APPLICATION		COMMENTS:	

TITLE: <b>Ester Williams bead</b>		
SIZE <b>A</b>	DWG. NO. <b>Ester Williams</b>	REV
SCALE: 1:1	WEIGHT:	SHEET 1 OF 1

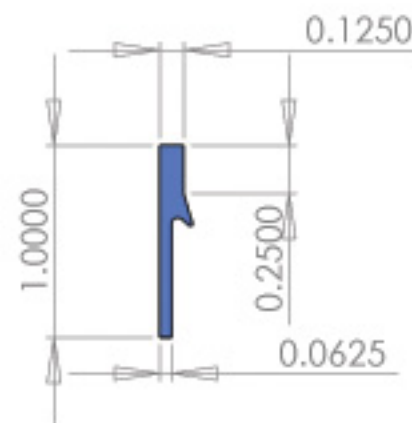
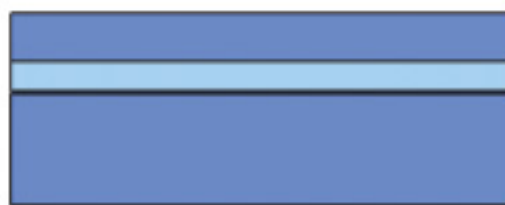
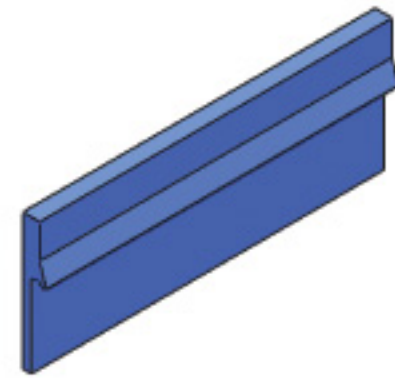
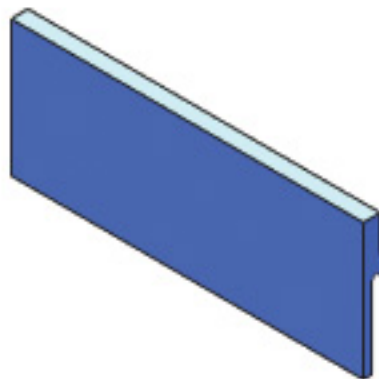
5

4

3

2

1



**PROPRIETARY AND CONFIDENTIAL**  
 THE INFORMATION CONTAINED IN THIS DRAWING IS THE SOLE PROPERTY OF HYDRA POOLS. ANY REPRODUCTION IN PART OR AS A WHOLE WITHOUT THE WRITTEN PERMISSION OF HYDRA POOLS IS PROHIBITED.

UNLESS OTHERWISE SPECIFIED:		NAME	DATE
DIMENSIONS ARE IN INCHES TOLERANCES: FRACTIONAL ± ANGULAR: MACH ± BEND ± TWO PLACE DECIMAL ± THREE PLACE DECIMAL ±		DRAWN	
INTERPRET GEOMETRIC TOLERANCING PER:		CHECKED	
MATERIAL		ENG APPR.	
FINISH		MFG APPR.	
DO NOT SCALE DRAWING		Q.A.	
APPLICATION		COMMENTS:	

<b>HYDRA POOLS</b>		
TITLE: <b>Hangtab</b>		
SIZE <b>A</b>	DWG. NO. <b>Hangtab</b>	REV
SCALE: 1:1	WEIGHT:	SHEET 1 OF 1

5

4

3

2

1